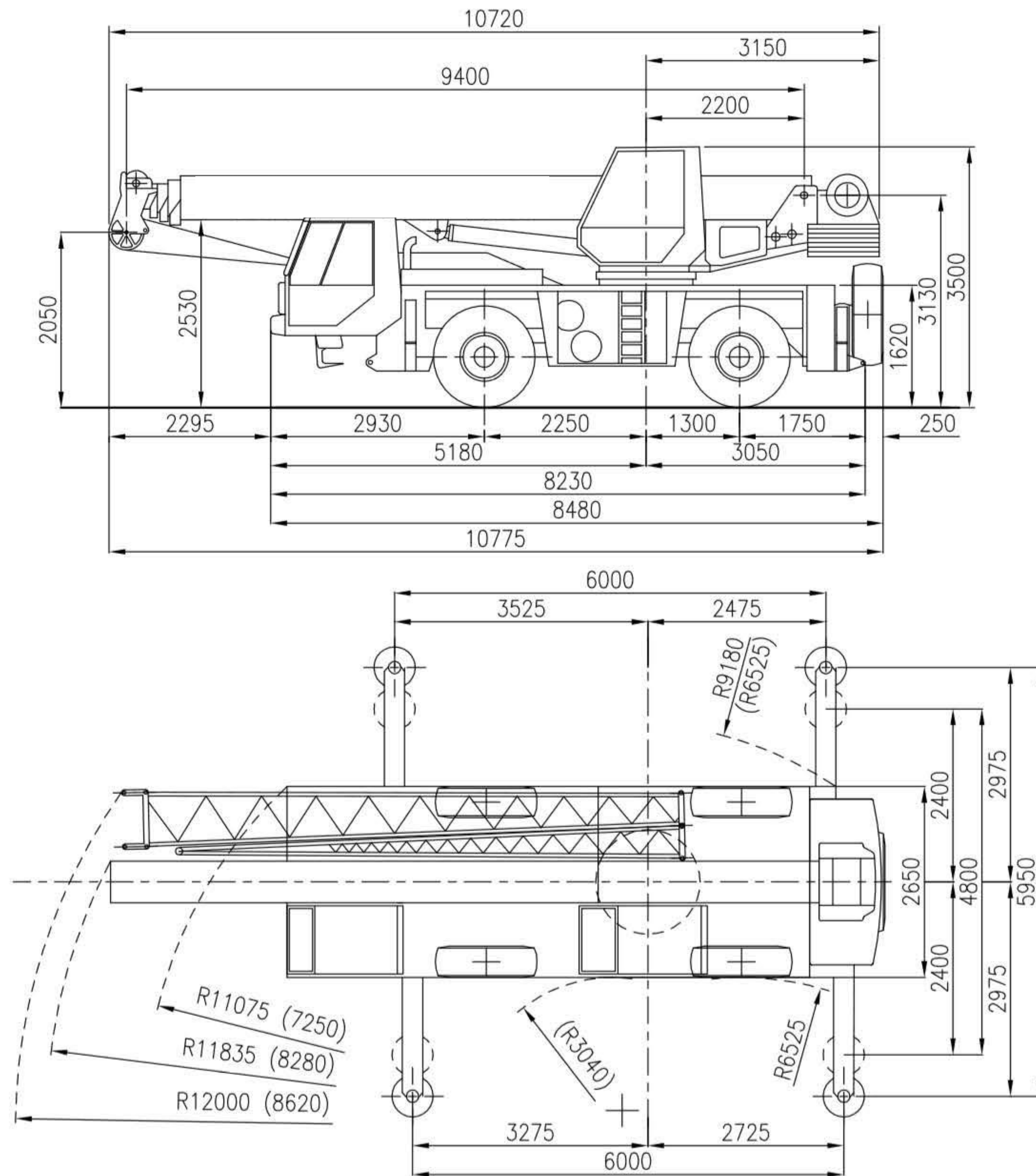


PPM ATT 400

35 TON



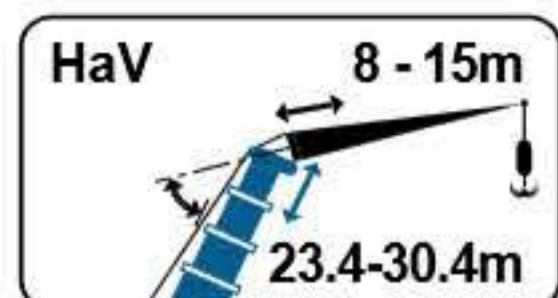
Axle load / Charge par essieu / Achslast / Aslast	:	2 x 12 t	( 2.6 t)
Total weight / Poids total / Gesamtgewicht / Totaal gewicht	:	24 t	( 2.6 t)
Tyres / Pneus / Bereifung / Banden	:	16.00 R 25	

PPM ATT 400

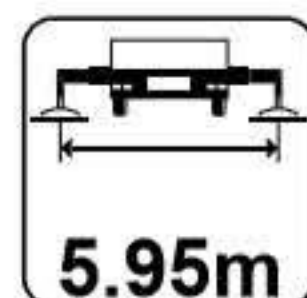
35 T

Lifting capacities
Capacités

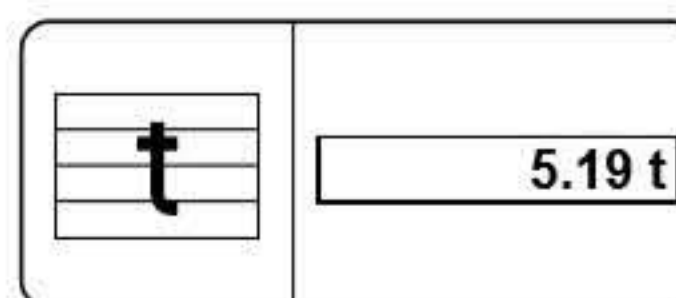
Tragfähigkeiten
Capaciteiten



HaV



5.95m



5.19 t



360°

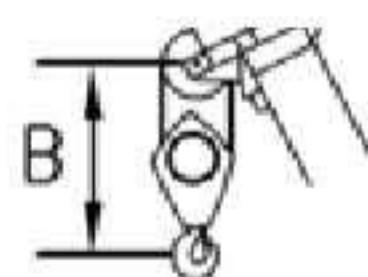
DIN
ISO

75%

m	8.0 m (folding jib)				
	23.4 m	26.9 m	30.4 m		
	0°	0°	0°	15°	30°
t	t	t	t	t	
5.0	5.6	-	-	-	-
6.0	5.6	4.0	-	-	-
7.0	5.2	4.0	-	-	-
8.0	4.9	4.0	3.3	-	-
9.0	4.6	4.0	3.3	-	-
10.0	4.3	3.8	3.3	3.2	-
11.0	4.0	3.5	3.3	3.0	-
12.0	3.8	3.3	3.2	2.8	2.5
13.0	3.6	3.1	3.0	2.6	2.4
14.0	3.4	2.9	2.8	2.5	2.3
15.0	3.3	2.7	2.7	2.4	2.2
16.0	3.1	2.5	2.5	2.3	2.1
17.0	3.0	2.4	2.4	2.2	2.0
18.0	2.6	2.3	2.3	2.1	1.9
19.0	2.3	2.2	2.2	2.0	1.8
20.0	2.1	2.1	2.0	1.9	1.8
21.0	1.8	2.0	1.9	1.8	1.7
22.0	1.6	1.9	1.8	1.7	1.7
23.0	1.5	1.7	1.6	1.7	1.6
24.0	1.3	1.5	1.5	1.6	1.6
25.0	1.1	1.4	1.3	1.4	1.4
26.0	1.0	1.3	1.1	1.2	1.3
27.0	0.8	1.1	1.0	1.1	1.2
28.0	0.7	1.0	0.9	1.0	1.1
29.0	0.5	0.9	0.8	0.8	0.9
30.0	-	0.8	0.7	0.7	0.8
31.0	-	0.7	0.6	0.6	0.7
32.0	-	0.6	0.5	0.5	0.6
33.0	-	-	-	0.5	0.5

m	15.0 m (folding jib)		
	30.4 m		
	0°	15°	30°
t	t	t	
10.0	1.7	-	-
11.0	1.7	-	-
12.0	1.7	-	-
13.0	1.7	-	-
14.0	1.7	1.4	-
15.0	1.7	1.4	-
16.0	1.6	1.3	-
17.0	1.6	1.3	1.1
18.0	1.6	1.2	1.0
19.0	1.5	1.2	1.0
20.0	1.5	1.2	1.0
21.0	1.4	1.2	1.0
22.0	1.4	1.1	1.0
23.0	1.3	1.1	1.0
24.0	1.3	1.1	0.9
25.0	1.3	1.1	0.9
26.0	1.2	1.0	0.9
27.0	1.2	1.0	0.9
28.0	1.1	1.0	0.9
29.0	1.0	1.0	0.9
30.0	0.9	1.0	0.9
31.0	0.7	0.9	0.9
32.0	0.7	0.8	0.9
33.0	0.6	0.7	0.8
34.0	0.5	0.6	0.7
35.0	0.4	0.5	0.6
36.0	-	0.5	0.5
37.0	-	-	0.4

Hook Block / Crane hook
Crochet mouflé / Crochet simple



Unterflasche / Hakengehänge
Kraanblok / Kraanhaak

Capacity Capacité Tragfähigkeit Capaciteit	Number of sheaves Nombre de poulies Anzahl der Rollen Aantal schijven	Number of lines Nombre de brins Strangzahl Aantal parten	Weight Poids Gewicht Gewicht	"B"
SWL 35 t !*	4	8	400 kg	2.55 m
SWL 25 t !*	3	6	380 kg	2.55 m
SWL 15 t	1	3	212 kg	2.55 m
SWL 5 t	-	1	90 kg	1.60 m

PPM ATT 400

35 T

Working ranges
Portées

Arbeitsbereiche
Werkbereich

T + TK

